



**STEM** education   
— LLC —

---



**Simple &  
Powered  
Machines**

Today I saw in a store a kind of balance I hadn't seen before... it had two pans instead of one and they had to balance!

I had seen one like this in my grandfather's old store!

You mean like the one the goddess of Justice holds?





Exactly! Themis, the goddess of justice holds a beam balance on her left hand, to balance the crime and punishment, the good and the evil.







The beam balance is one of the first balances. They were used till your grandparents' times.

Discuss with your students how the beam balance works. Which kind of stores do you think they needed it?





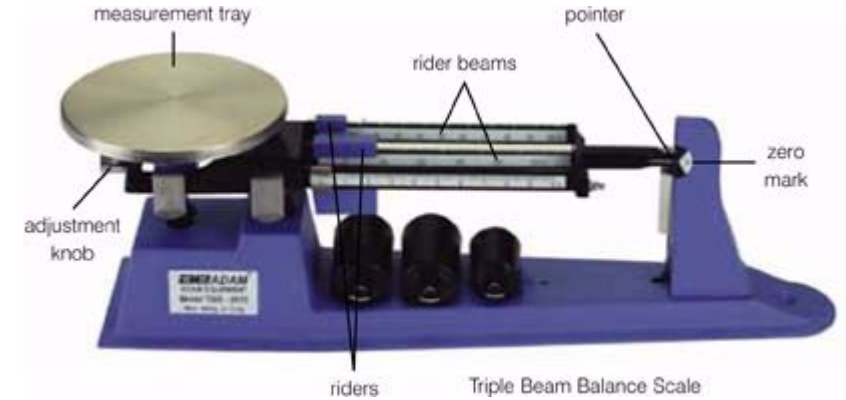
The beam balance is now not used in stores, but it is used in many toys!



Well, it reminds me of a seesaw!

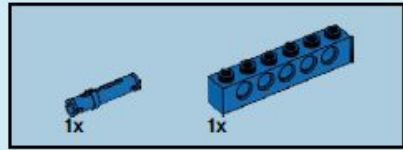


The beam balance reminds of a seesaw, indeed. But it is wrong that we don't use it today. Many non-electronic precision balances are of this type!

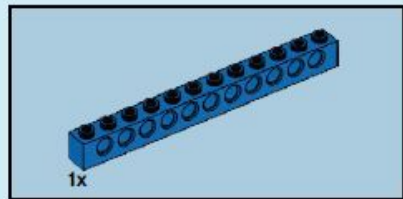
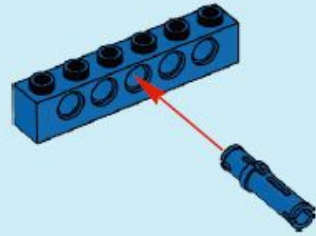




# Base of the balance



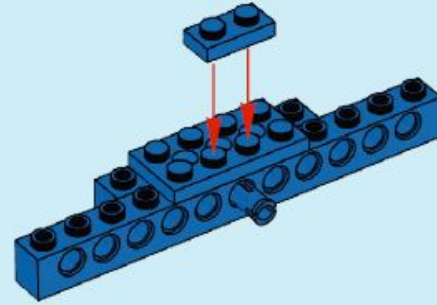
1



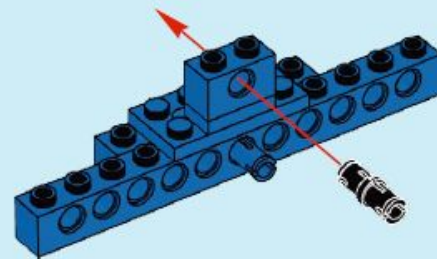
2



3



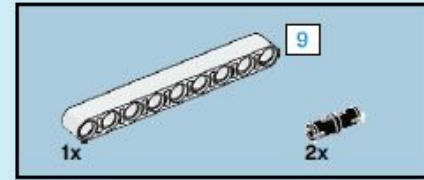
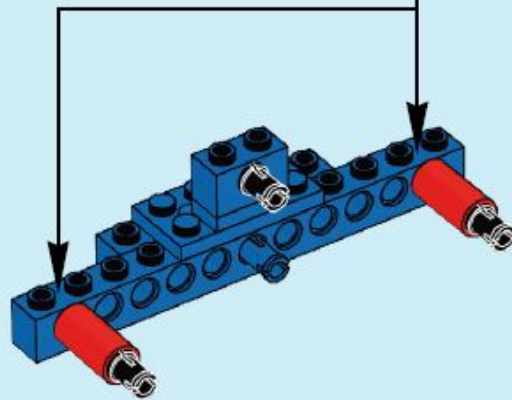
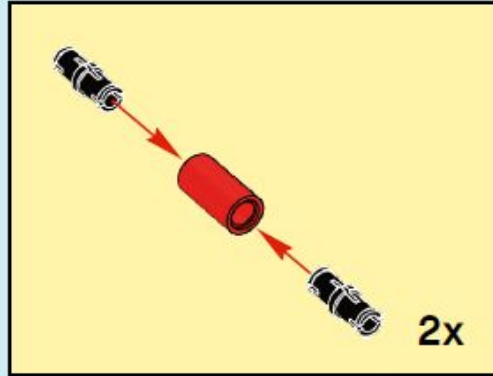
4



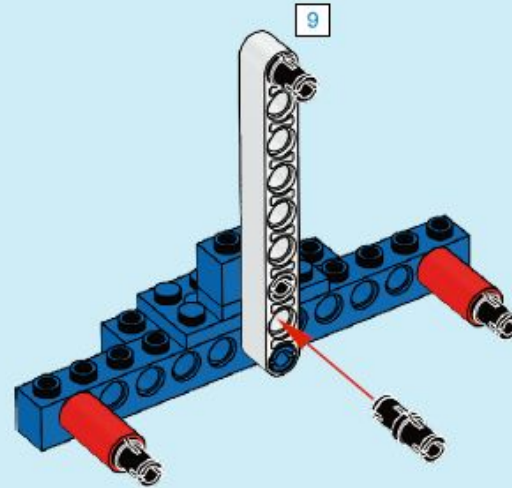


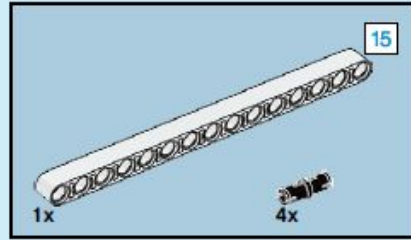


5

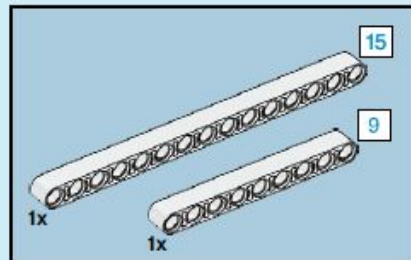
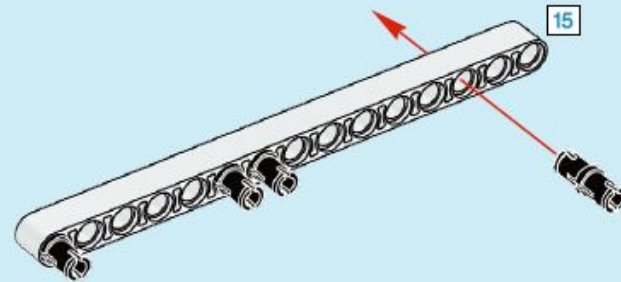


6

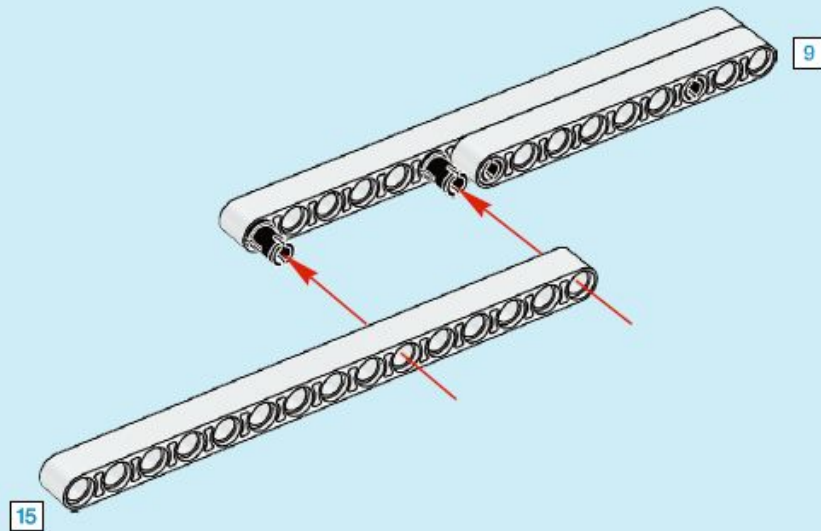


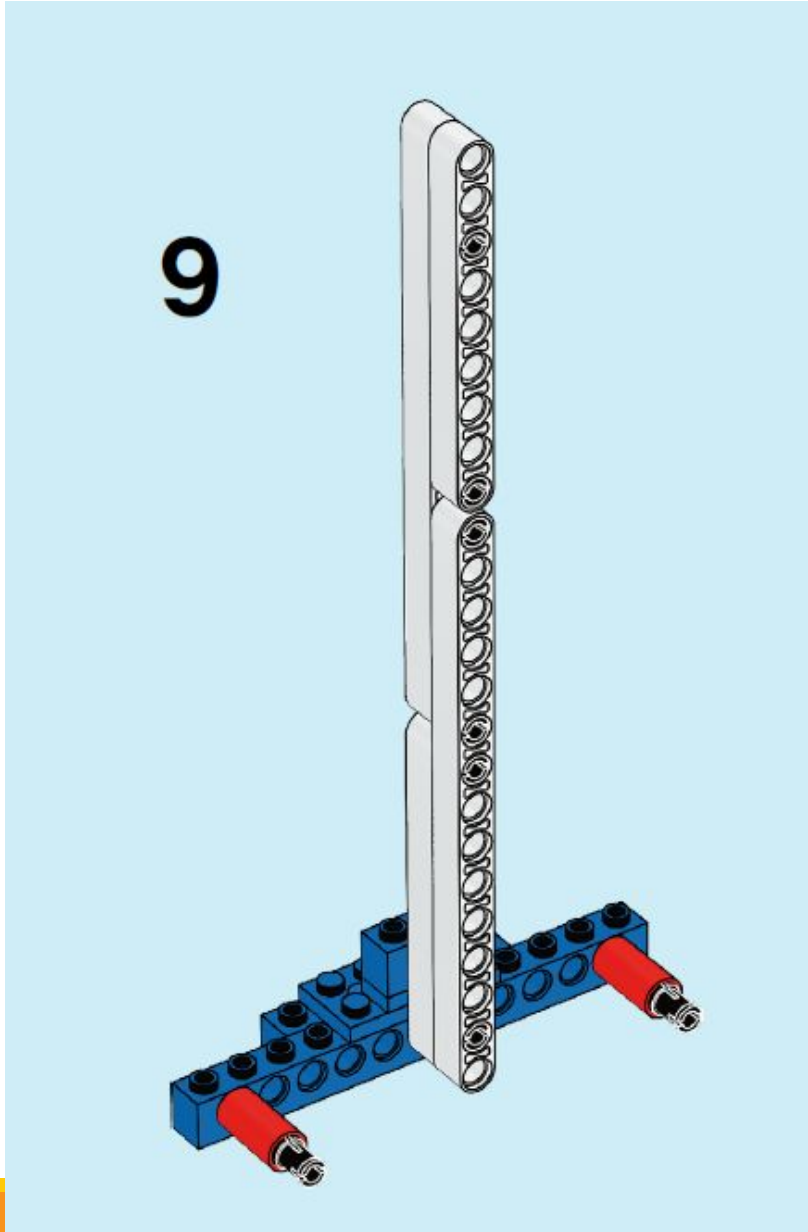


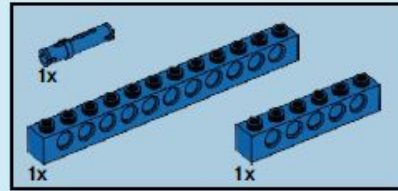
7



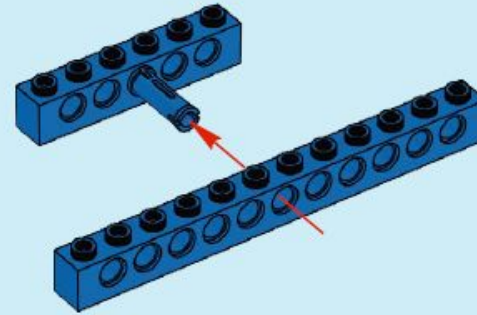
8



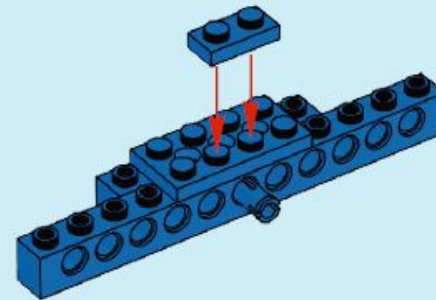




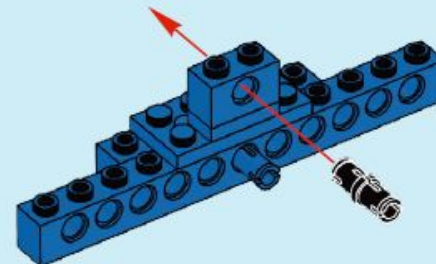
10



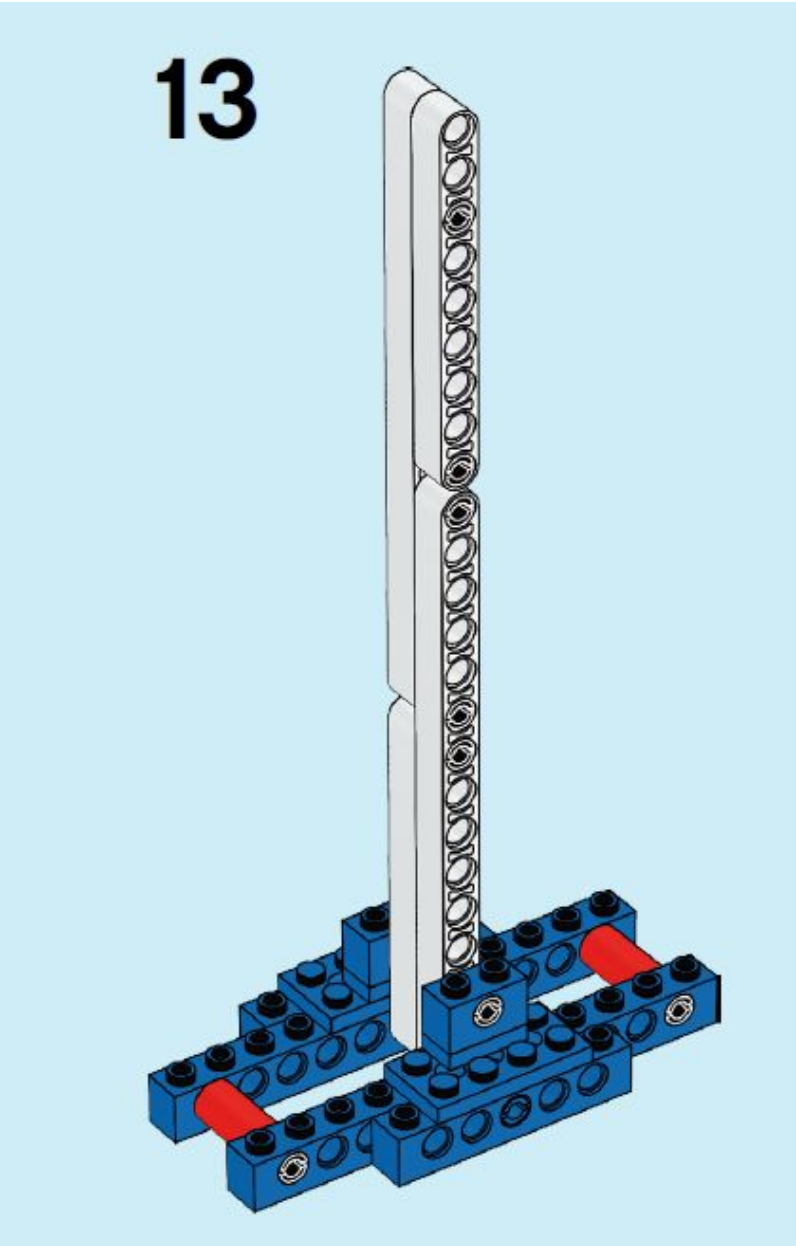
11



12



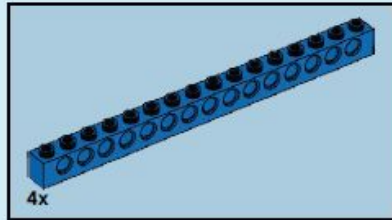
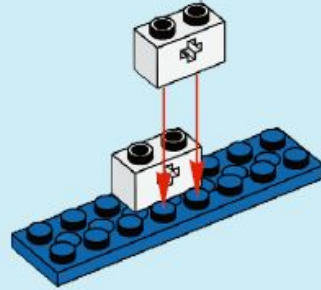




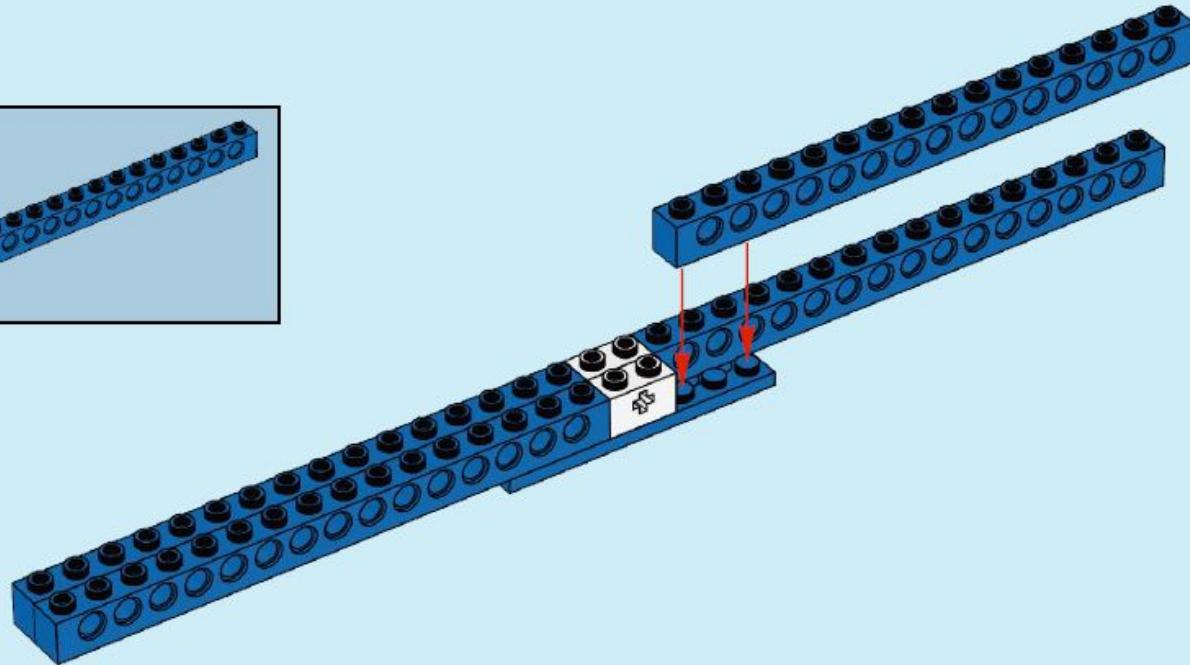
# Scales

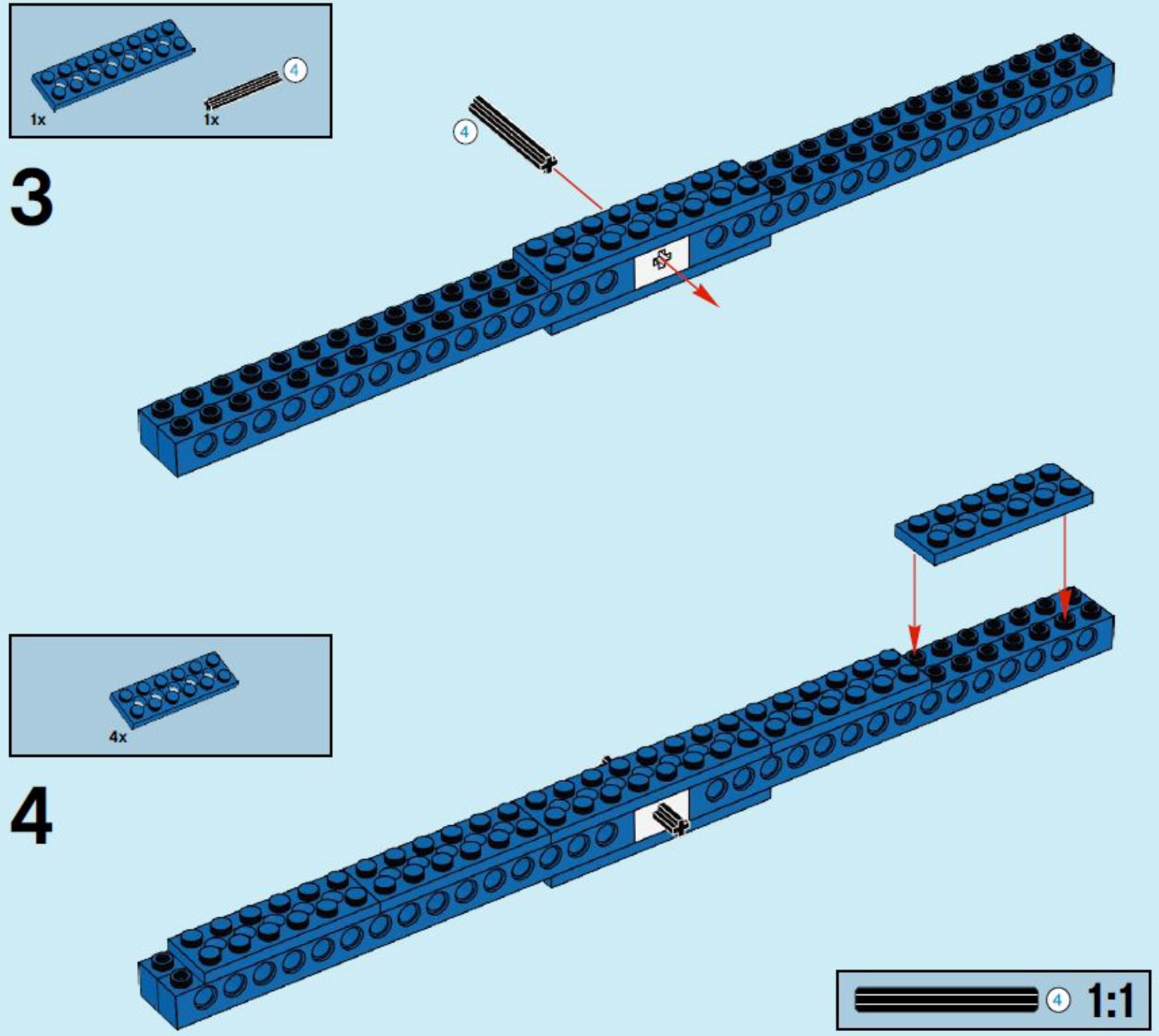


1



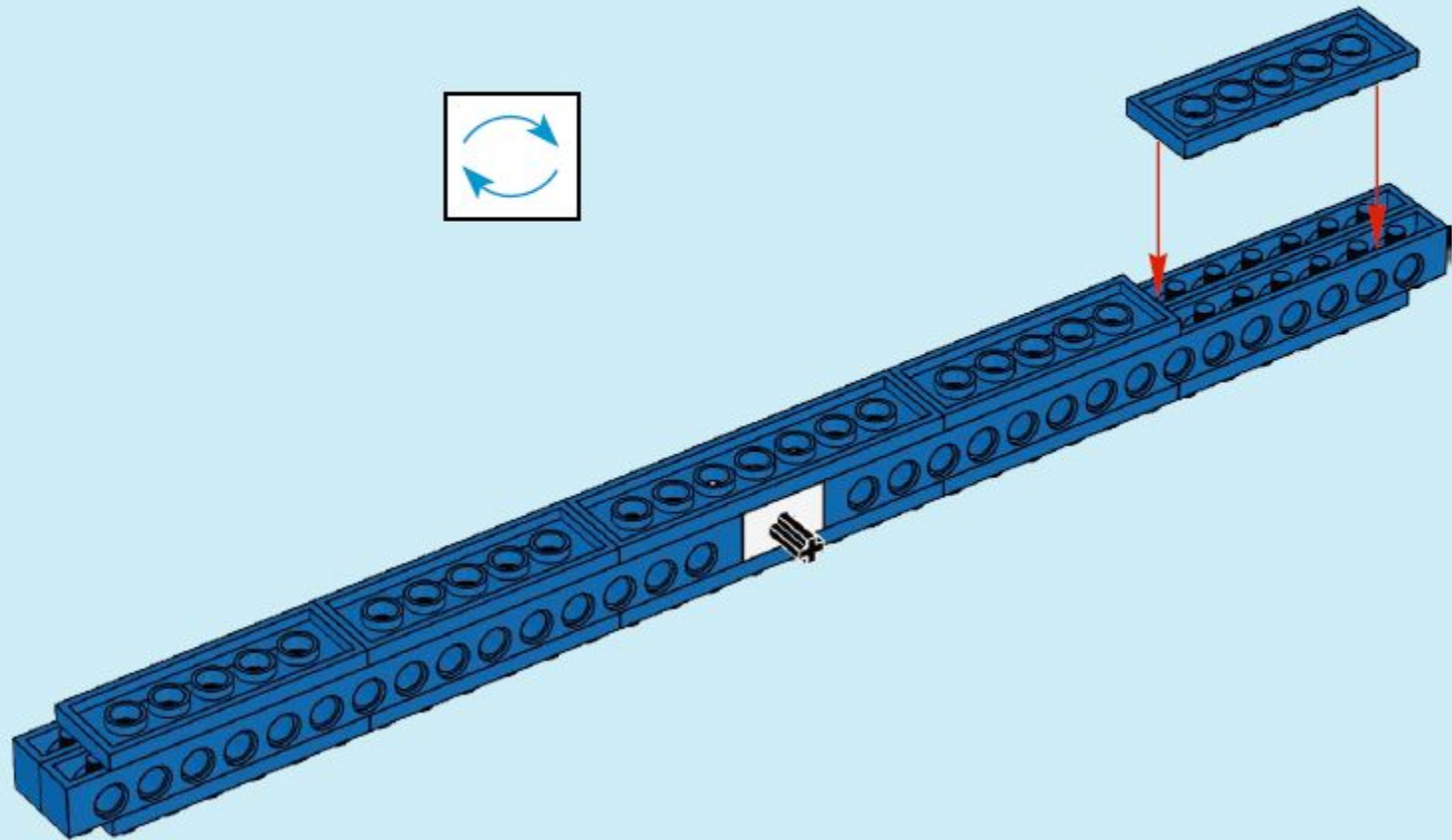
2



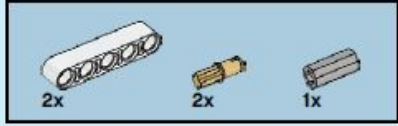




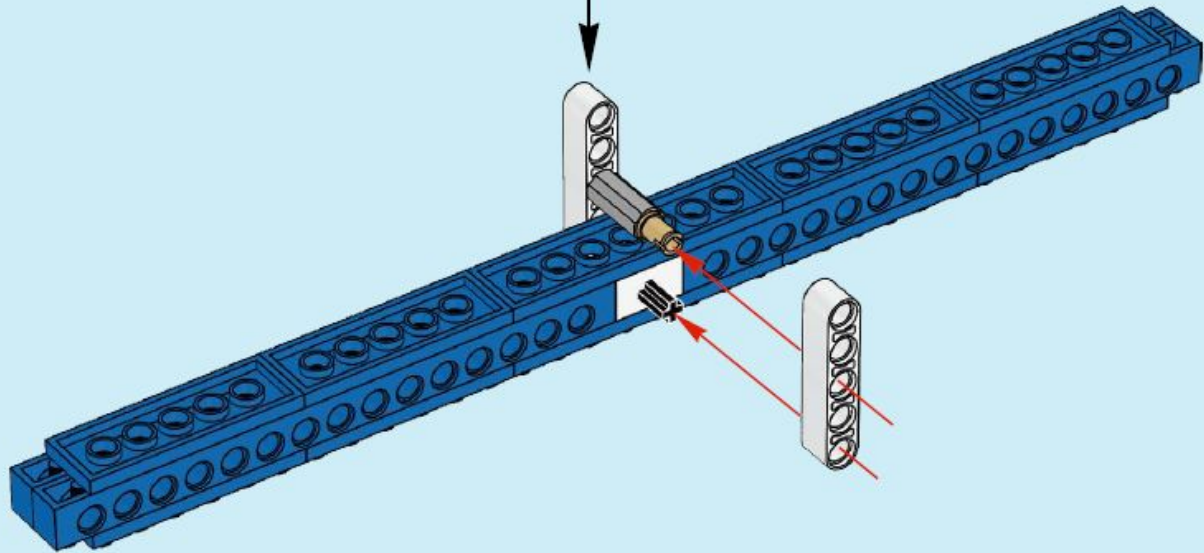
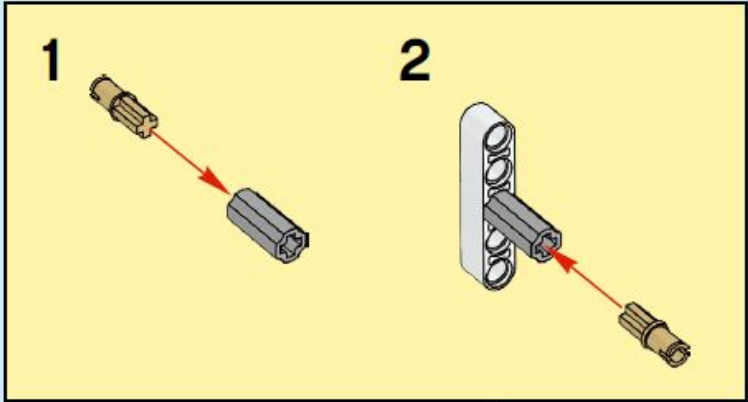
5





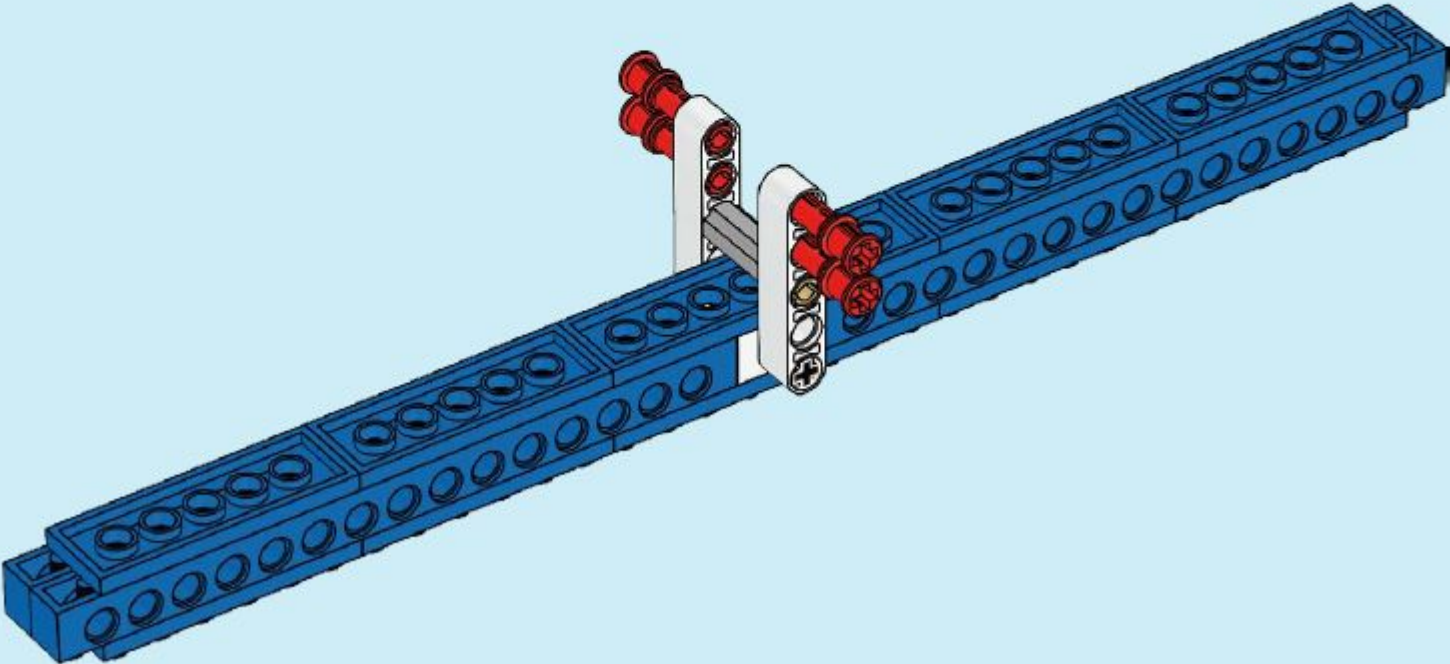


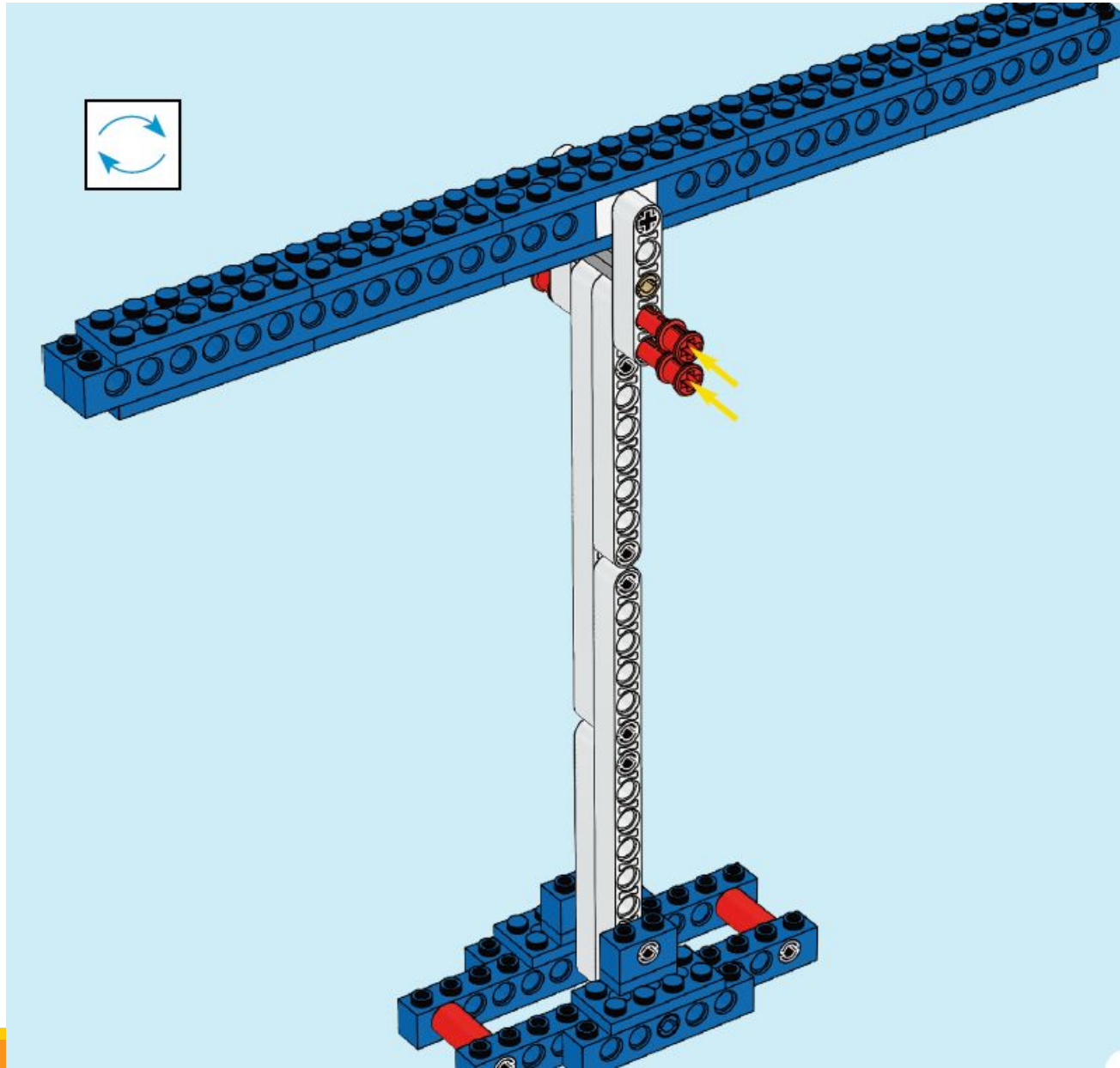
6

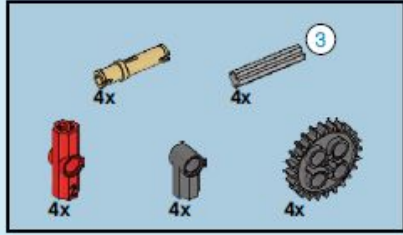




7

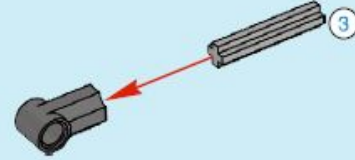




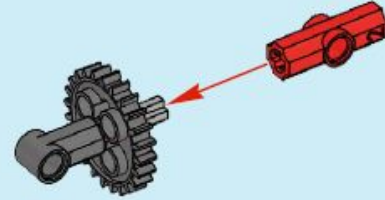


8

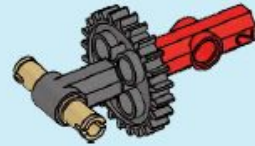
1



2



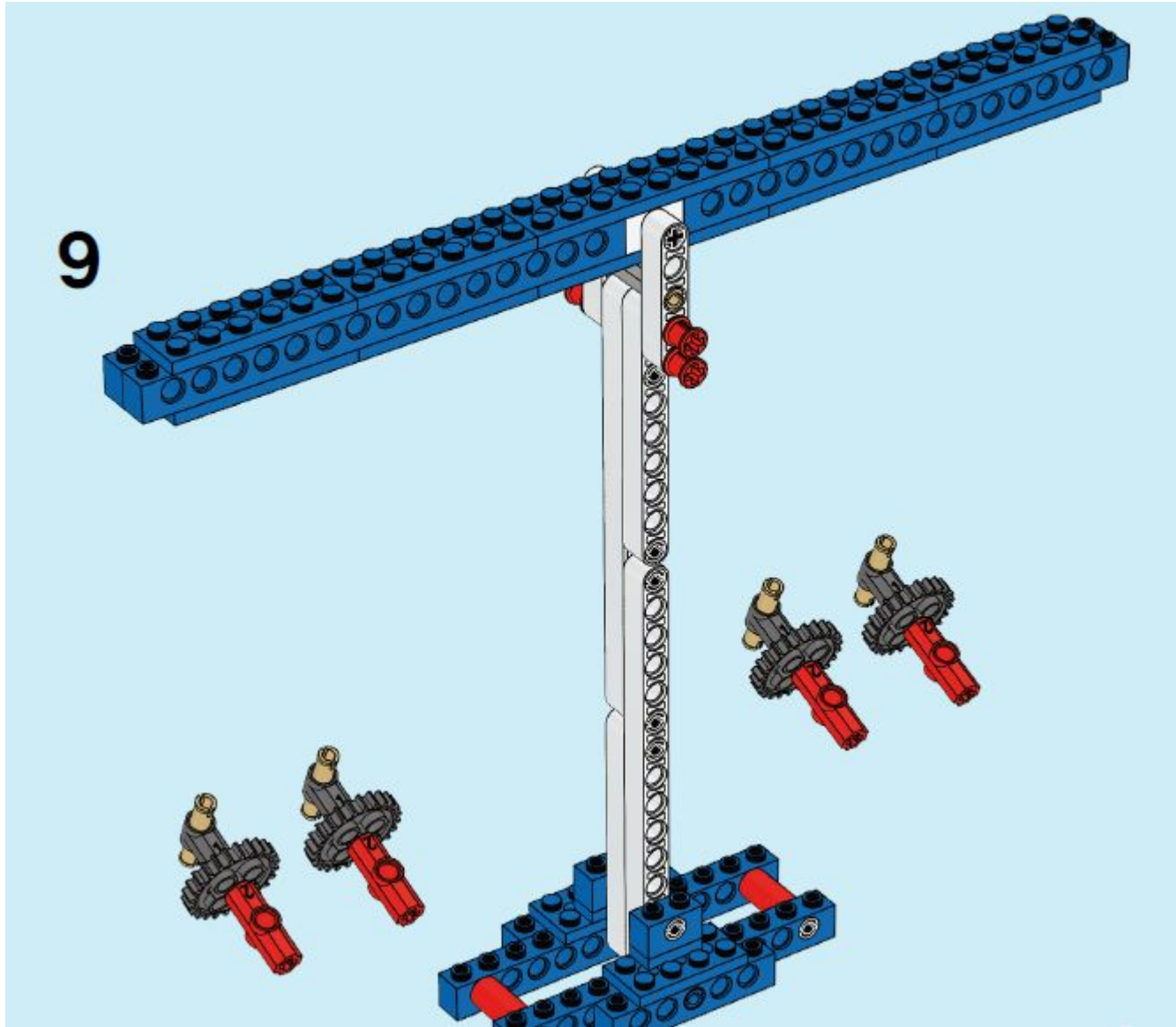
3

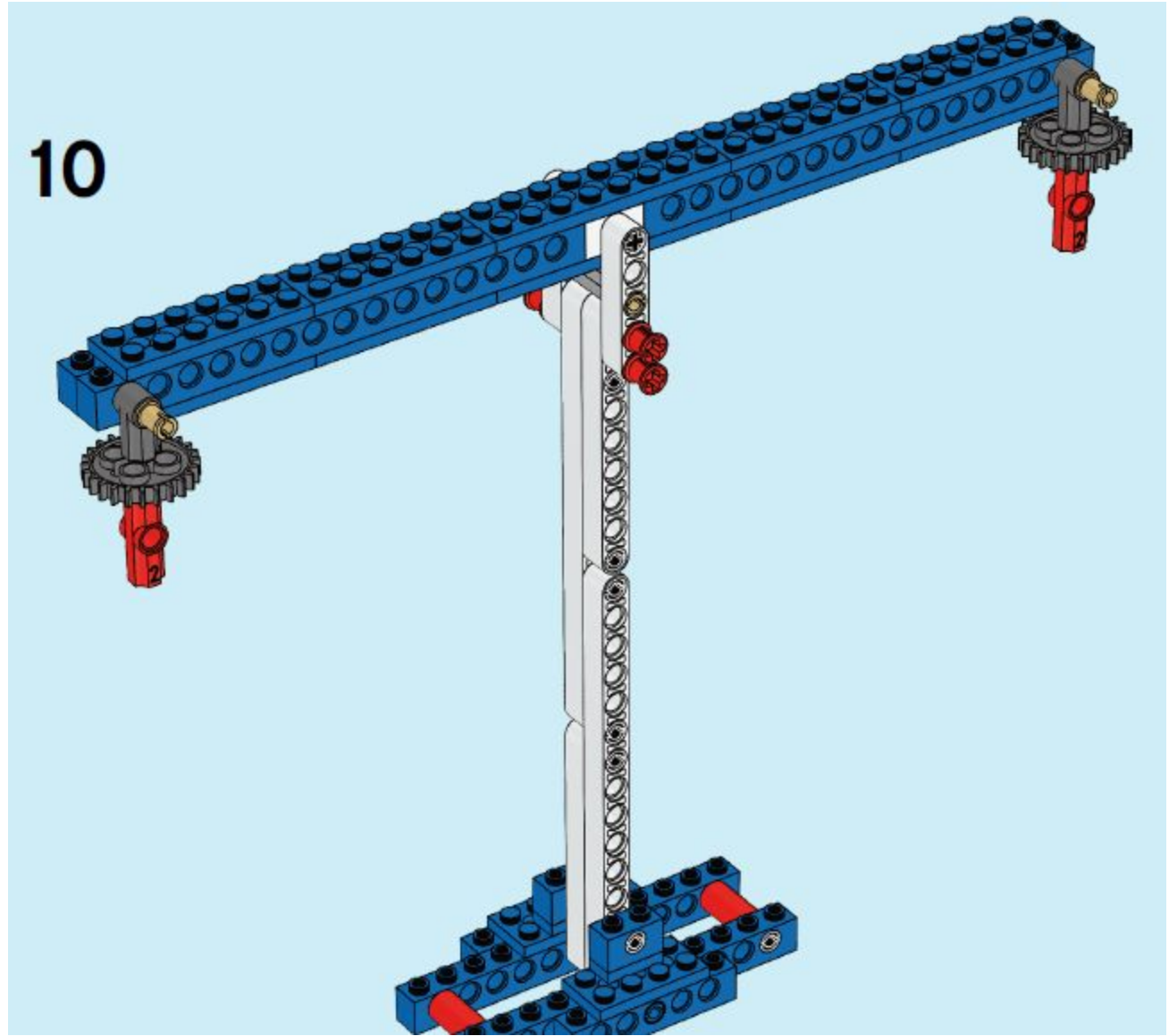


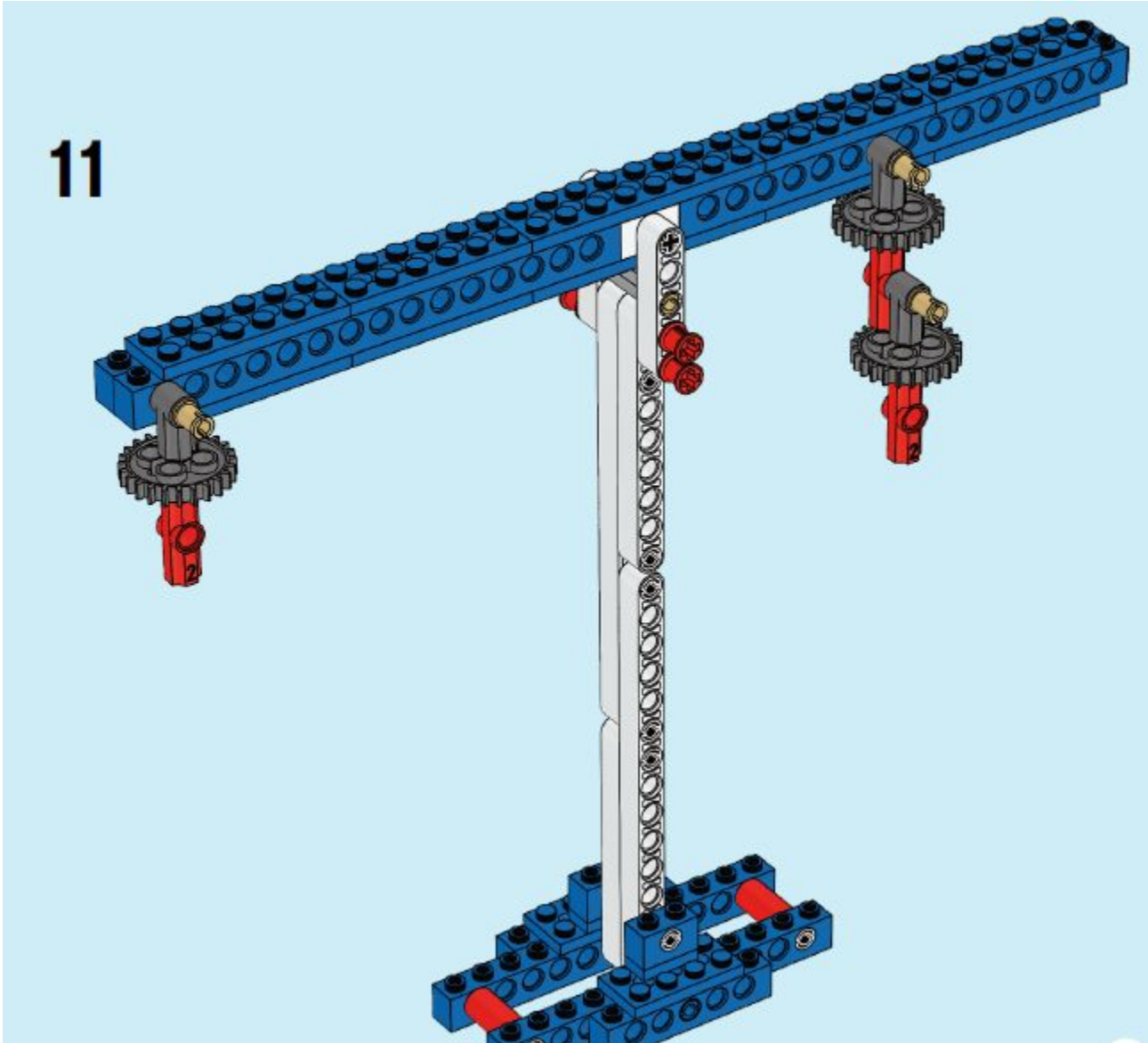
4x



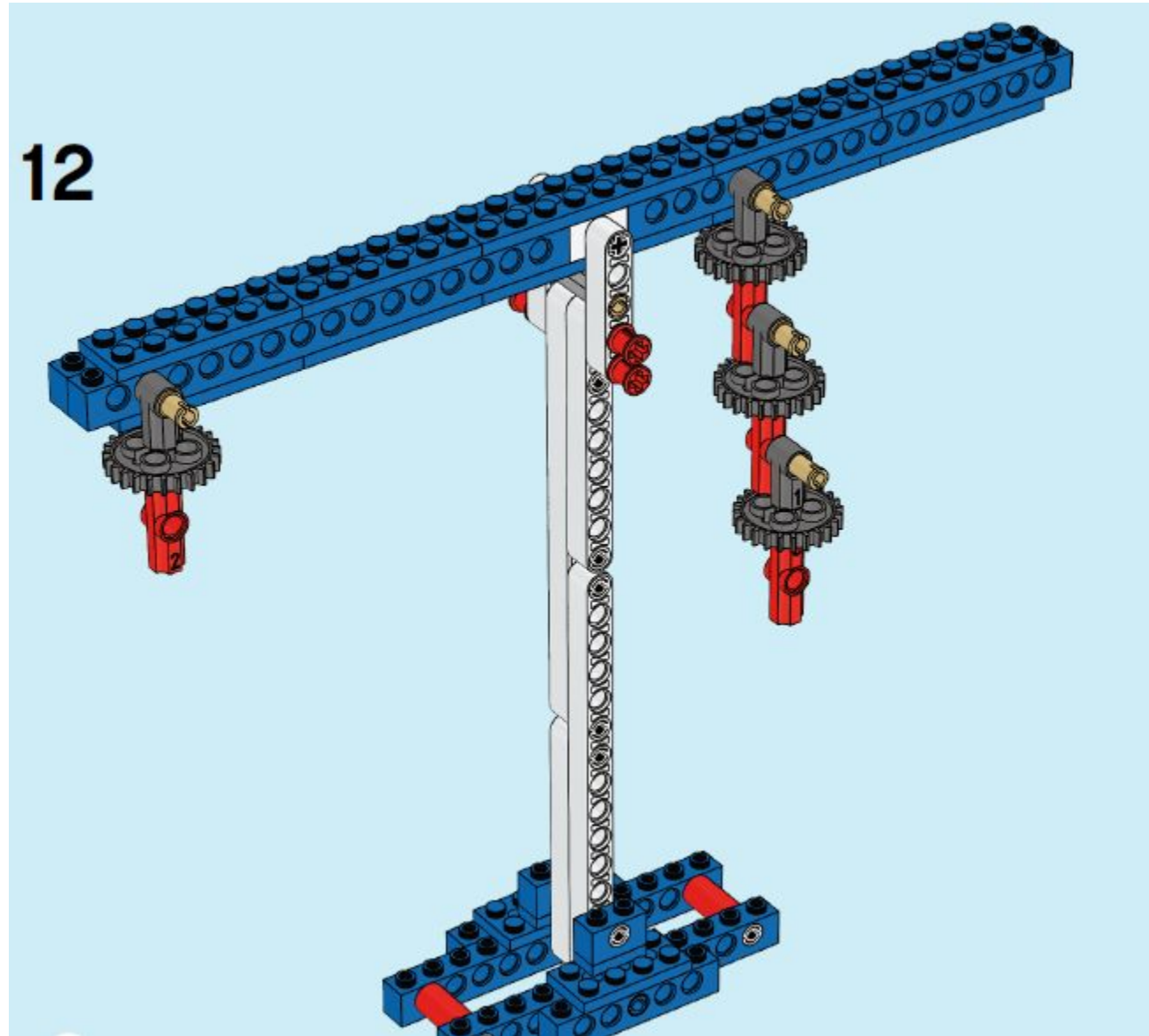








12



*When you finish your worksheet,  
disassemble your built and  
put all parts in their own place*

